

THIS DRAWING IS UNPUBLISHED. RELEASED FOR PUBLICATION OCT. 2005  
 © COPYRIGHT 2005 BY TYCO ELECTRONICS CORPORATION. ALL RIGHTS RESERVED.

| LOC | DIST | REVISIONS   |                               |          |       |
|-----|------|-------------|-------------------------------|----------|-------|
| P   | LTR  | DESCRIPTION | DATE                          | DWN      | APVD  |
| E   | B    | A1          | Released as per ECR-08-022292 | 4-Sep-08 | SP JC |

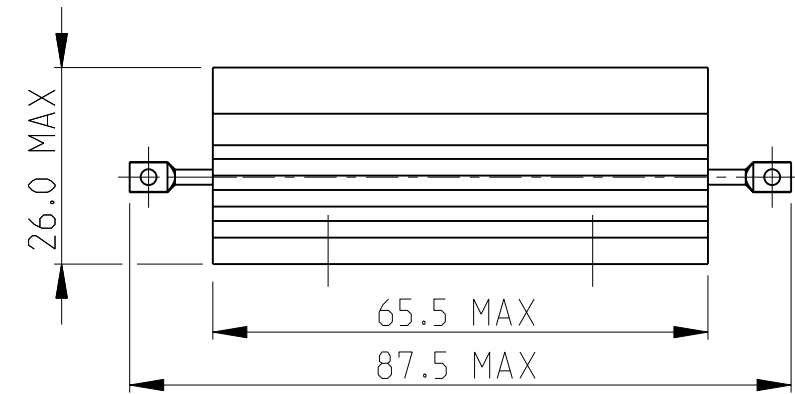
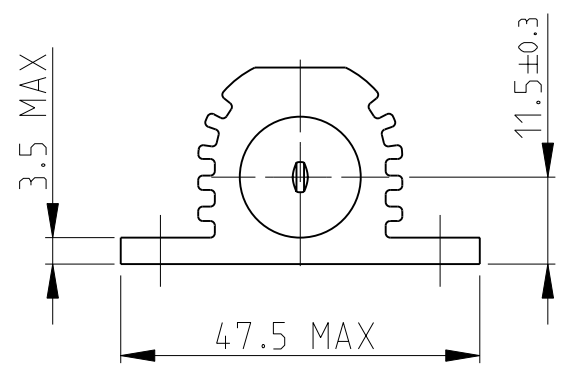
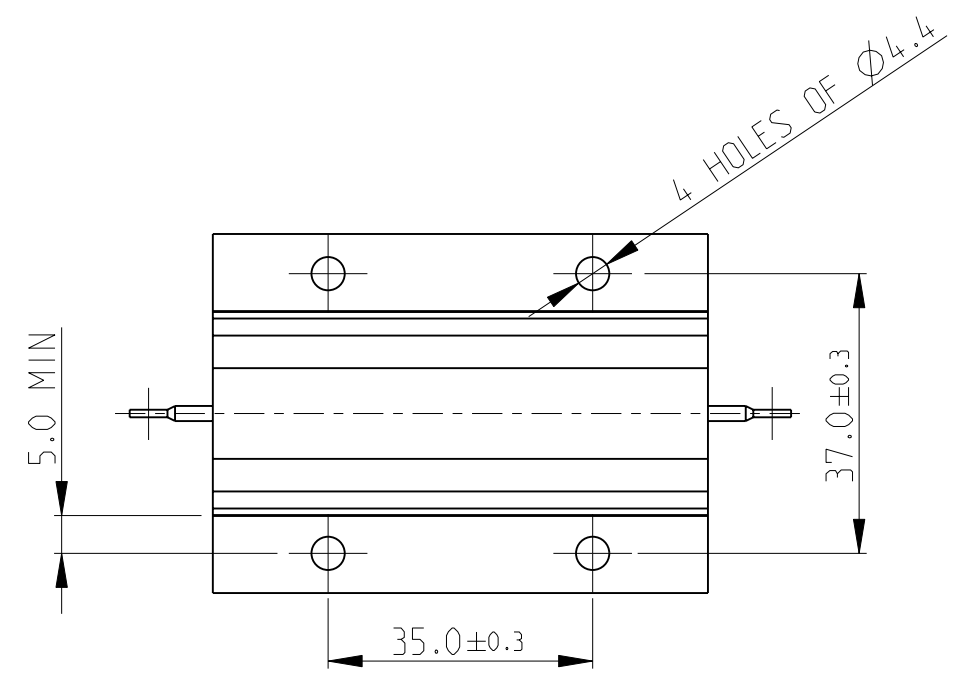
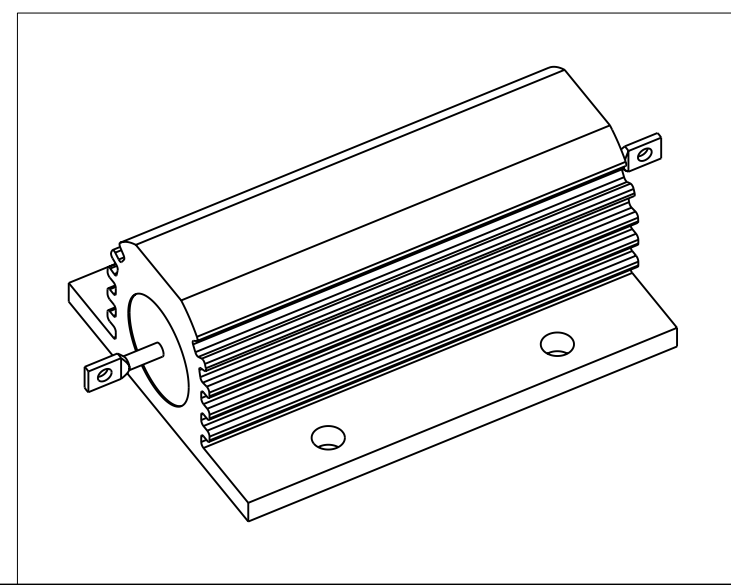
1 FOR FURTHER INFORMATION SEE DATA SHEET FOR HS SERIES-ALUMINIUM HOUSED RESISTORS

2 FOR A SPECIFIC PN FOR A RESISTANCE VALUE AND TOLERANCE, PLEASE REFER TO DMF

3 TECHNICAL SPECIFICATION

DISSIPATION AT 25°C : 100 WATTS MOUNTED ON STD HEATSINK  
 OHMIC RANGE : R10 TO 75K  
 STABILITY : ΔR < =2% PER 1000Hrs  
 ISOLATION VOLTAGE : 3500V DC/AC pk  
 MAX WORKING VOLTAGE : 1900V DC/AC rms  
 TEMP COEFFICIENT : > 1R0 50ppm  
 > 100R 25ppm  
 CLIMATIC CATEGORY : 55/200/56

RoHS Compliant



THIS DRAWING IS A CONTROLLED DOCUMENT FOR TYCO ELECTRONICS CORPORATION IT IS SUBJECT TO CHANGE AND THE CONTROLLING ENGINEERING ORGANIZATION SHOULD BE CONTACTED FOR THE LATEST REVISION.

|                   |  |  |      |
|-------------------|--|--|------|
| DIMENSIONS:<br>mm |  | TOLERANCES UNLESS OTHERWISE SPECIFIED: |      |
|                   |  | 0 PLC                                  | ±0.5 |
|                   |  | 1 PLC                                  | ±0.2 |
|                   |  | 2 PLC                                  | ±0.1 |
|                   |  | 3 PLC                                  | ±    |
|                   |  | 4 PLC                                  | ±    |
| MATERIAL -        |  | ANGLES                                 | ±5°  |
|                   |  | FINISH                                 | -    |

|                  |              |           |
|------------------|--------------|-----------|
| DWN              | DAVE KENNEDY | 27.SEP.05 |
| CHK              | J CATCHPOLE  | 28.SEP.05 |
| APVD             | J CATCHPOLE  | 28.SEP.05 |
| PRODUCT SPEC     | -            |           |
| APPLICATION SPEC | -            |           |
| WEIGHT           | -            |           |
| CUSTOMER DRAWING |              |           |

|  |           |                                    |               |
|--|-----------|------------------------------------|---------------|
| Tyco Electronics Corporation<br>Dorcan, Swindon, SN3 5HH |           | NAME                               |               |
|  |           | HSC100 METAL HOUSED POWER RESISTOR |               |
| SIZE   | CAGE CODE | DRAWING NO                         | RESTRICTED TO |
| A3   | 00779     | C=1625999                          | -             |
| SCALE 1:1  |           | SHEET 1 OF 1                       | REV A1        |